

ZERO-MAX

ServoClass® Couplings



ZERO-MAX® ServoClass® Couplings

- For high performance servo motor and demanding motion control applications
- High torsional stiffness for use in precision positioning applications
- Eco-Friendly, adapted to RoHS Directive with no banned substances
- Low inertia for high speed reversing applications
- Zero backlash and low hysteresis ensures repeatable precise positioning
- Low bearing loads



- Available in 14 sizes in single and double disc models
- Double disc models provide highest misalignment capability
- Operating temperature range is -22° to +212°F (-30° to +100°C)
- Torque ratings range from 0.25 to 250Nm
- Hubs and center members manufactured of aluminum alloy for strength, durability, and both are treated to prevent oxidation and to preserve appearance
- Disc members are made of 304 stainless steel
- Couplings are precisely assembled using high strength, corrosion resistant fasteners
- Integral clamp style hubs provide fast, easy mounting
- RoHS compliant – manufactured of RoHS compliant materials and contains no banned substances

ServoClass® Couplings For Every Servo System Requirement

ZERO-MAX

Today's Servo Motor Applications

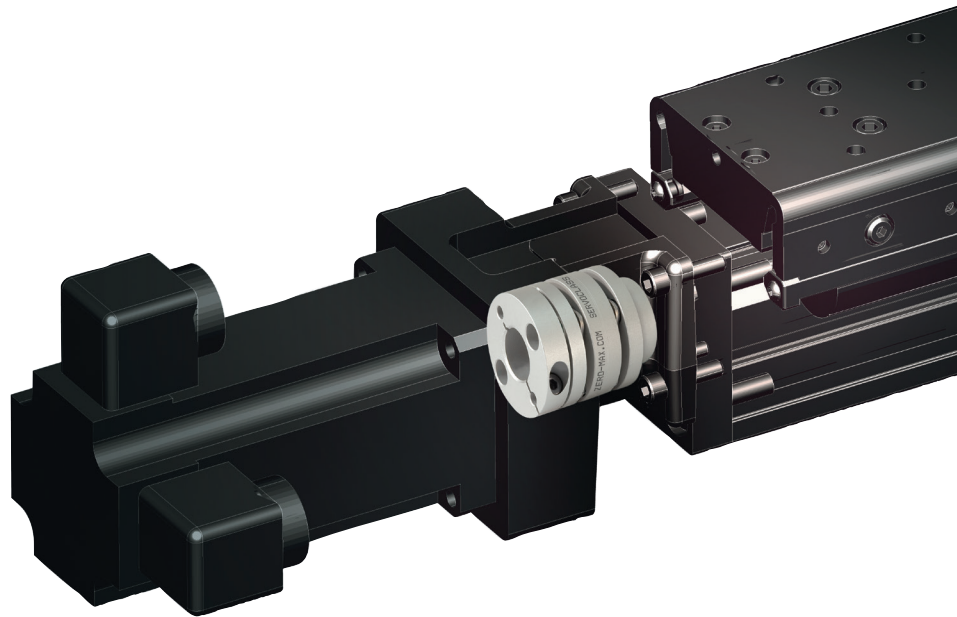
are more demanding than ever. The precision positioning requirements and high reverse load characteristics of servo motor applications necessitate a coupling design that specifically addresses the needs of these sophisticated systems.

Attributes of a Superior Servo Motor coupling

- Low Inertia
- High Torsional Stiffness
- Zero-Backlash
- Misalignment capability
- Low Reaction Loads

Low Inertia is a critical feature of a superior servo coupling. The inertia should be low so that it does not add significantly to overall inertia of the servo system. The lower the inertia, the less energy required by the motor to move the system, and therefore higher acceleration is possible. Zero-Max ServoClass couplings are made from a high strength aluminum alloy, resulting in very low inertia.

High Torsional Stiffness is an important quality of any high performance coupling. Low torsional stiffness couplings will reduce system performance and accuracy. The high torsional stiffness characteristic of the Zero-Max ServoClass coupling increases the system resonant frequency, exceeding the resonant operating frequency of most equipment.

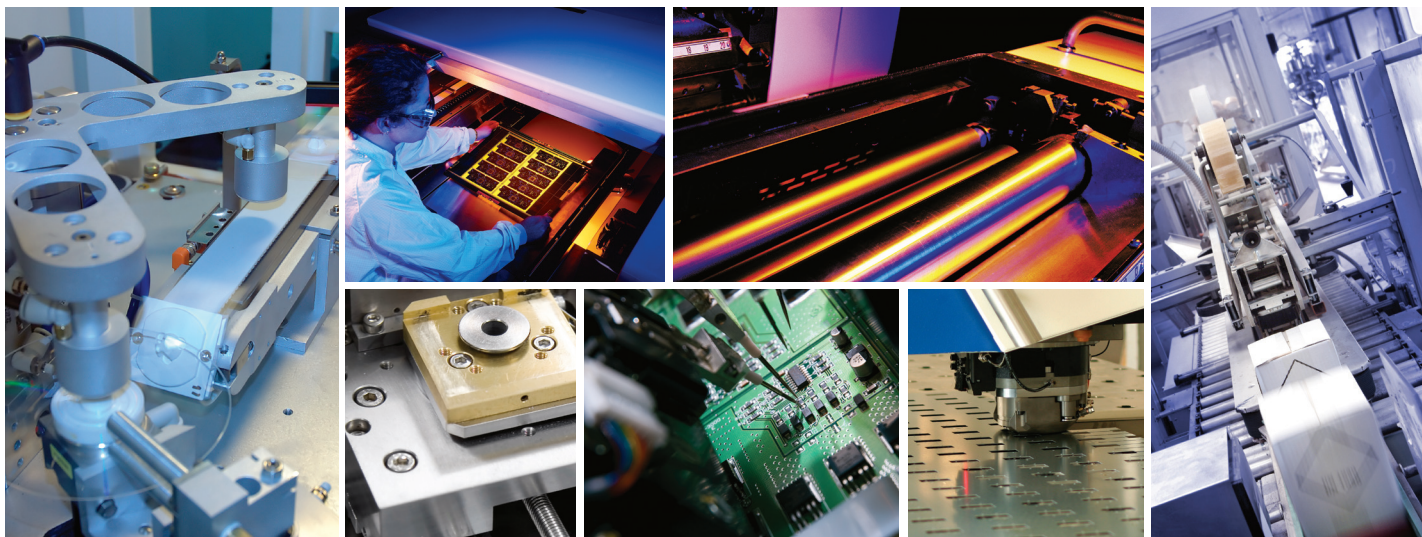


Zero Backlash is another key requirement of a high performance servo coupling. A coupling may be considered zero backlash and still have a large amount of torsional windup. Zero Backlash along with High Torsional Stiffness allows the coupling to maintain the same angular relationship between the input and output shaft without lost motion. The Zero-Max ServoClass coupling is a zero backlash, high torsional stiffness coupling that exhibits a very low amount of windup or lost motion.

Misalignment Capability of a coupling is also important in a motion control system. Usually, the alignment of a well manufactured servo system will be very good. Over time and

under high load conditions, this alignment may deteriorate. The Servo-Class coupling will allow for this misalignment while remaining a torsionally stiff and zero backlash connection.

Low Reaction Loads on the system's bearings and connected components is not only desirable, it is one of the primary reasons for using a flexible coupling. The Zero-Max ServoClass coupling utilizes a design that provides flexibility for inevitable misalignment, therefore minimizing the reaction loads to the servo motor and system bearings. Under misalignment, the ServoClass Coupling does not sacrifice any of its torque or torsional stiffness capabilities.



- For high performance servo motor and demanding motion control applications
- High torsional stiffness for use in precision positioning applications
- Eco-Friendly, adapted to RoHS Directive with no banned substances
- Low inertia for high speed applications
- Zero backlash and low hysteresis ensures repeatable precise positioning

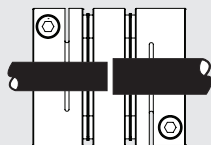


Double Disc Specifications

Model	Operating Torque in-lbs (Nm)	Maximum RPM rpm	Torsional Stiffness in-lbs/deg (Nm/rad)	Axial Stiffness lbs/in (N/mm)	Misalignment Capacity			Moment of Inertia lb-in ² (kgm ² x10 ⁻⁶)	Weight ounce (gram)	Style
					Parallel inch (mm)	Angular degree	Axial ± inch ± (mm)			
SC002R	2.2 (0.25)	10,000	14 (95)	97 (17)	0.001 (0.03)	0.5	0.002 (0.08)	0.0002 (0.07)	0.14 (4)	C
SC005R	5.3 (0.6)	10,000	39 (250)	400 (70)	0.002 (0.05)	0.5	0.004 (0.10)	0.0012 (0.37)	0.35 (10)	C
SC010R	8.9 (1.0)	10,000	108 (700)	400 (70)	0.004 (0.11)	1	0.008 (0.20)	0.0027 (0.80)	0.53 (15)	C
SC020R	18 (2.0)	10,000	286 (1,850)	183 (32)	0.006 (0.15)	1	0.013 (0.33)	0.012 (3.40)	1.3 (35)	C
SC025R	35 (4.0)	10,000	432 (2,800)	171 (30)	0.006 (0.16)	1	0.015 (0.38)	0.018 (5.26)	1.4 (40)	C
SC030R	44 (5.0)	10,000	618 (4,000)	183 (32)	0.007 (0.18)	1	0.016 (0.4)	0.025 (7.33)	1.9 (54)	A
								0.032 (9.39)	2.2 (60)	B
								0.039 (11.5)	2.4 (68)	C
SC035R	71 (8.0)	10,000	1,390 (9,000)	320 (56)	0.009 (0.24)	1	0.020 (0.5)	0.092 (26.8)	4.3 (122)	C
SC040R	89 (10)	10,000	1,545 (10,000)	228 (40)	0.009 (0.24)	1	0.024 (0.6)	0.101 (29.5)	4.3 (122)	A
								0.123 (36.1)	4.8 (136)	B
								0.146 (42.6)	5.3 (151)	C
SC050R	221 (25)	10,000	2,472 (16,000)	137 (24)	0.011 (0.28)	1	0.031 (0.8)	0.331 (96.9)	8.7 (246)	A
								0.407 (118.9)	9.7 (275)	B
								0.483 (141.7)	10.7 (304)	C
SC055R	354 (40)	10,000	3,863 (25,000)	123 (21.5)	0.012 (0.31)	1	0.033 (0.84)	0.891 (261.3)	16.1 (459)	C
								0.862 (252)	15.5 (440)	A
								1.08 (315.7)	17.6 (498)	B
SC060R	531 (60)	10,000	5,407 (35,000)	218 (38)	0.013 (0.34)	1	0.035 (0.9)	1.29 (377)	19.5 (556)	C
								3.54 (1,034)	37.0 (1,051)	C
								6.08 (1,776)	48.4 (1,373)	C
SC080R	885 (100)	10,000	10,813 (70,000)	366 (64)	0.02 (0.52)	1	0.04 (1.10)	9.26 (2,704)	60.2 (1,707)	C
SC090R	1,593 (180)	10,000	7,724 (50,000)	308 (54)	0.02 (0.52)	1	0.05 (1.30)			C
SC100R	2,213 (250)	10,000	9,268 (60,000)	317 (55)	0.02 (0.52)	1	0.06 (1.48)			C

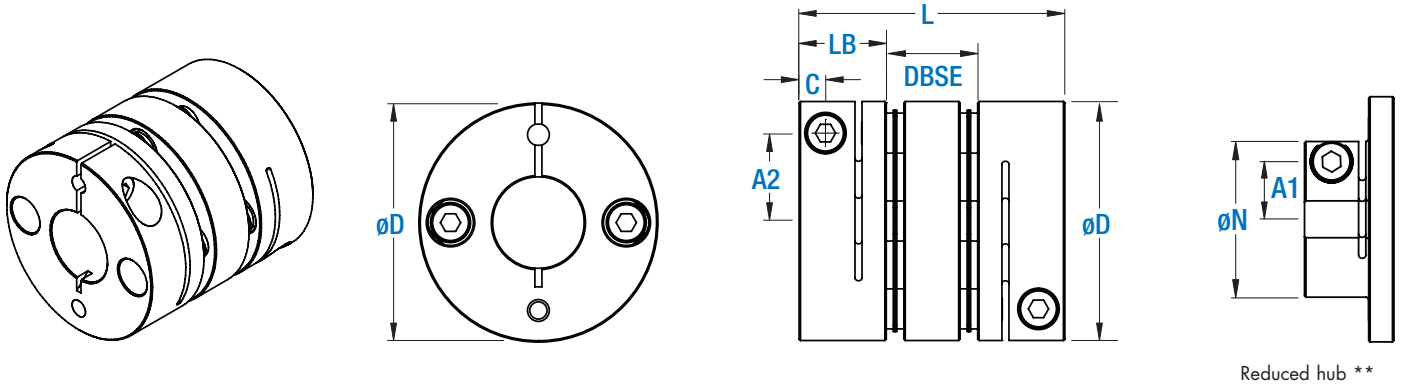
- Moment of Inertia and Weight are measured with the maximum bore diameters
- Recommended tolerance of mounted shaft is h7

If the shafts of the equipment are smaller than the ID of the flex element they may be extended into the interior of the coupling. The ends of the shafts must never touch each other.



Style of coupling is dependent on the size of the coupling and bore combination selected. Therefore, the coupling could be comprised of the combinations shown to the right.





Reduced hub **

Double Disc Dimensions

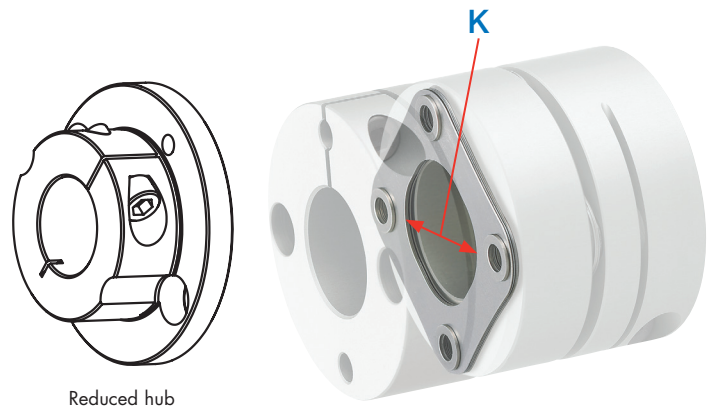
Model	Bores		Outside Diameter	Overall Length	Hub Length	Reduced Hub Diameter	Distance Between Shaft Ends	Inside dia. of the flex disc	Clamp Screw to Bore (on reduced hubs)	Clamp Screw	Clamp Screw to End of Hub C	Clamp Screw Size	Tightening Torque
	Min inch (mm)	Max inch (mm)											
SC002R	0.125 (3)	0.1875 (5)	0.47 (12)	0.618 (15.7)	0.232 (5.9)	-	0.153 (3.9)	0.224 (5.6)	-	0.146 (3.7)	0.074 (1.9)	M1.6	2 (0.23)
SC005R	0.125 (3)	0.1875 (6)	0.63 (16)	0.913 (23.2)	0.309 (7.85)	-	0.295 (7.5)	0.256 (6.5)	-	0.189 (4.8)	0.098 (2.5)	M2.0	3.5 (0.4)
SC010R	0.125 (3)	0.3125* (8)*	0.748 (19)	1.02 (25.9)	0.36 (9.15)	-	0.299 (7.6)	0.335 (8.5)	-	0.228 (5.8)	0.124 (3.15)	M2.5*	9* (1)*
SC020R	0.1875 (4)	0.375 (11)	1.024 (26.0)	1.272 (32.3)	0.423 (10.75)	-	0.425 (10.8)	0.417 (10.6)	-	0.374 (9.5)	0.130 (3.3)	M2.5	9 (1)
SC025R	0.250 (5)	0.500 (14)	1.142 (29.0)	1.291 (32.8)	0.423 (10.75)	-	0.445 (11.3)	0.571 (14.5)	-	0.433 (11.0)	0.130 (3.3)	M2.5	9 (1)
SC030R	0.250** (5)**	0.625 (16)	1.339 (34.0)	1.488 (37.8)	0.488 (12.4)	0.850 (21.6)	0.511 (13.0)	0.571 (14.5)	0.315 (8)	0.492 (12.5)	0.148 (3.75)	M3	13 (1.5)
SC035R	0.250 (6)	0.6875 (18)	1.535 (39.0)	1.890 (48)	0.610 (15.5)	-	0.669 (17.0)	0.669 (17)	-	0.551 (14)	0.177 (4.5)	M4	30 (3.4)
SC040R	0.375** (8)**	0.8125 (22)	1.732 (44.0)	1.890 (48)	0.610 (15.5)	1.165 (29.6)	0.669 (17.0)	0.768 (19.5)	0.433 (11)	0.669 (17)	0.177 (4.5)	M4	30 (3.4)
SC050R	0.375** (8)**	1.125 (30)	2.205 (56.0)	2.354 (59.8)	0.807 (20.5)	1.496 (38)	0.740 (18.8)	1.024 (26)	0.571 (14.5)	0.866 (22)	0.236 (6)	M5	62 (7)
SC055R	0.4375 (10)	1.125 (30)	2.480 (63.0)	2.705 (68.7)	0.945 (24)	-	0.815 (20.7)	1.220 (31)	-	0.906 (23)	0.305 (7.75)	M6	124 (14)
SC060R	0.4375** (11)**	1.375 (35)	2.677 (68.0)	2.886 (73.3)	0.992 (25.2)	1.811 (46)	0.902 (22.9)	1.220 (31)	0.689 (17.5)	1.043 (26.5)	0.305 (7.75)	M6	124 (14)
SC080R	0.750 (18)	1.5625 (40)	3.228 (82.0)	3.858 (98)	1.181 (30)	-	1.496 (38.0)	1.496 (38)	-	1.102 (28)	0.354 (9)	M8	266 (30)
SC090R	1.000 (25)	1.750 (45)	3.622 (94.0)	3.882 (98.6)	1.181 (30)	-	1.520 (38.6)	1.654 (42)	-	1.339 (34)	0.354 (9)	M8	266 (30)
SC100R	1.3125 (32)	1.750 (45)	4.095 (104.0)	4.000 (101.6)	1.181 (30)	-	1.638 (41.6)	1.890 (48)	-	1.535 (39)	0.354 (9)	M8	266 (30)

*SC010 with a bore of 8mm or 0.3125" will have a M2 clamp screw and a tightening torque of 3.5 in lbs. or 0.4Nm

****Reduced Hub Dimensions**

Model	Min Inch (mm)	Max Inch (mm)
SC030R	0.250 (5)	0.375 (10)
SC040R	0.375 (8)	0.5625 (15)
SC050R	0.375 (8)	0.6875 (19)
SC060R	0.4375 (11)	0.9375 (24)

** The hub in this coupling size may have a reduced outside diameter depending on the bore size selected. The chart to the left identifies the range of bore sizes that utilize the reduced diameter hubs. Bores larger than the max listing in the chart to the left and equal to or less than the max bore in the above chart will have the standard sized hub.



Reduced hub

- For high performance servo motor and demanding motion control applications
- High torsional stiffness for use in precision positioning applications
- Eco-Friendly, adapted to RoHS Directive with no banned substances
- Low inertia for high speed applications
- Zero backlash and low hysteresis ensures repeatable precise positioning

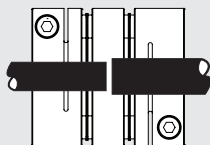


Single Disc Specifications

Model	Operating Torque in-lbs (Nm)	Maximum RPM rpm	Torsional Stiffness in-lbs/deg (Nm/rad)	Axial Stiffness lbs/in (N/mm)	Misalignment Capacity			Moment of Inertia lb-in ² (kgm ² × 10 ⁻⁹)	Weight ounce (gram)	Style
					Parallel inch (mm)	Angular degree	Axial ± inch ± (mm)			
SD002R	2.2 (0.25)	10,000	29 (190)	194 (34)	0.0003 (0.01)	0.5	0.001 (0.04)	0.0002 (0.06)	0.10 (3)	C
SD005R	5.3 (0.6)	10,000	77 (500)	799 (140)	0.001 (0.02)	0.5	0.002 (0.05)	0.0009 (0.26)	0.25 (7)	C
SD010R	8.9 (1.0)	10,000	216 (1,400)	799 (140)	0.001 (0.02)	1	0.004 (0.10)	0.0019 (0.58)	0.39 (11)	C
SD020R	18 (2.0)	10,000	572 (3,700)	366 (64)	0.001 (0.02)	1	0.006 (0.15)	0.008 (2.36)	0.9 (25)	C
SD025R	35 (4.0)	10,000	865 (5,600)	343 (60)	0.001 (0.02)	1	0.007 (0.19)	0.013 (3.67)	1.0 (29)	C
SD030R	44 (5.0)	10,000	1,236 (8,000)	366 (64)	0.001 (0.02)	1	0.008 (0.2)	0.014 (4.00)	1.2 (34)	A
								0.021 (6.06)	1.4 (41)	B
								0.028 (8.12)	1.7 (49)	C
SD035R	71 (8.0)	10,000	2,781 (18,000)	640 (112)	0.001 (0.02)	1	0.010 (0.25)	0.063 (18.4)	3.0 (84)	C
SD040R	89 (10)	10,000	3,089 (20,000)	457 (80)	0.001 (0.02)	1	0.012 (0.3)	0.056 (16.4)	2.7 (77)	A
								0.078 (23.0)	3.2 (90)	B
								0.101 (29.5)	3.7 (105)	C
SD050R	221 (25)	10,000	4,943 (32,000)	274 (48)	0.001 (0.02)	1	0.016 (0.4)	0.188 (54.9)	5.5 (156)	A
								0.263 (77.1)	6.5 (185)	B
								0.339 (99.3)	7.5 (214)	C
SD055R	354 (40)	10,000	7,723 (50,000)	245 (43)	0.001 (0.02)	1	0.016 (0.42)	0.056 (16.4)	2.7 (77)	A
								0.642 (188)	11 (314)	C
								0.491 (144)	9.8 (279)	A
SD060R	531 (60)	10,000	10,813 (70,000)	436 (76.4)	0.001 (0.02)	1	0.018 (0.45)	0.704 (205)	11.9 (337)	B
								0.918 (268.6)	14 (396)	C
								0.704 (205)	11.9 (337)	B
SD080R	885 (100)	10,000	21,626 (140,000)	731 (128)	0.001 (0.02)	1	0.02 (0.55)	2.43 (709.3)	25.6 (727)	C
SD090R	1,593 (180)	10,000	15,447 (100,000)	616 (108)	0.001 (0.02)	1	0.03 (0.65)	4.20 (1,227)	33.8 (959)	C
SD100R	2,213 (250)	10,000	18,535 (120,000)	664 (111)	0.001 (0.02)	1	0.03 (0.74)	6.36 (1,858)	41.6 (1,181)	C

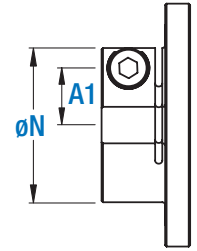
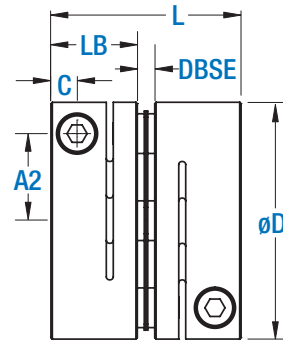
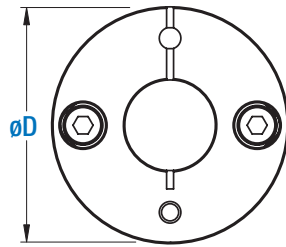
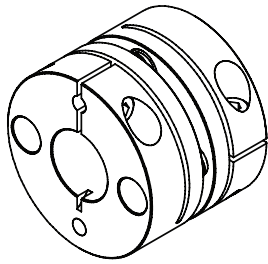
- Moment of Inertia and Weight are measured with the maximum bore diameters
- Recommended tolerance of mounted shaft is h7

If the shafts of the equipment are smaller than the ID of the flex element they may be extended into the interior of the coupling. The ends of the shafts must never touch each other.



Style of coupling is dependent on the size of the coupling and bore combination selected. Therefore, the coupling could be comprised of the combinations shown to the right.





Reduced hub **

Single Disc Dimensions

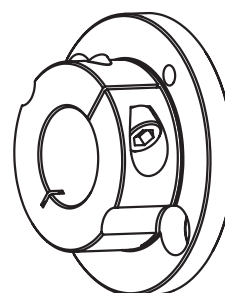
Model	Bores		Outside Diameter D	Overall Length L	Hub Length LB	Reduced Hub Diameter N	Distance Between Shaft Ends DBSE	Inside dia. of the flex disc K	Clamp Screw to Bore (on reduced hubs) A1	Clamp Screw A2	Clamp Screw to End of Hub C	Clamp Screw Size M	Tightening Torque in-lbs (Nm)
	Min inch (mm)	Max inch (mm)											
SD002R	0.125 (3)	0.1875 (5)	0.47 (12)	0.486 (12.35)	0.232 (5.9)	-	0.021 (0.55)	0.224 (5.6)	-	0.146 (3.7)	0.074 (1.9)	M1.6	2 (0.23)
SD005R	0.125 (3)	0.1875 (6)	0.63 (16)	0.657 (16.7)	0.309 (7.85)	-	0.039 (1.0)	0.256 (6.5)	-	0.189 (4.8)	0.098 (2.5)	M2.0	3.5 (0.4)
SD010R	0.125 (3)	0.3125* (8)*	0.748 (19)	0.762 (19.35)	0.36 (9.15)	-	0.041 (1.05)	0.335 (8.5)	-	0.228 (5.8)	0.124 (3.15)	M2.5*	9* (1)*
SD020R	0.1875 (4)	0.375 (11)	1.024 (26.0)	0.911 (23.15)	0.423 (10.75)	-	0.065 (1.65)	0.417 (10.6)	-	0.374 (9.5)	0.130 (3.3)	M2.5	9 (1)
SD025R	0.250 (5)	0.500 (14)	1.142 (29.0)	0.921 (23.4)	0.423 (10.75)	-	0.075 (1.9)	0.571 (14.5)	-	0.433 (11.0)	0.130 (3.3)	M2.5	9 (1)
SD030R	0.250** (5)**	0.625 (16)	1.339 (34.0)	1.075 (27.3)	0.488 (12.4)	0.850 (21.6)	0.098 (2.5)	0.571 (14.5)	0.315 (8)	0.492 (12.5)	0.148 (3.75)	M3	13 (1.5)
SD035R	0.250 (6)	0.6875 (18)	1.535 (39.0)	1.339 (34)	0.610 (15.5)	-	0.118 (3.0)	0.669 (17)	-	0.551 (14)	0.177 (4.5)	M4	30 (3.4)
SD040R	0.375** (8)**	0.8125 (22)	1.732 (44.0)	1.339 (34)	0.610 (15.5)	1.165 (29.6)	0.118 (3.0)	0.768 (19.5)	0.433 (11)	0.669 (17)	0.177 (4.5)	M4	30 (3.4)
SD050R	0.375** (8)**	1.125 (30)	2.205 (56.0)	1.709 (43.4)	0.807 (20.5)	1.496 (38)	0.094 (2.4)	1.024 (26)	0.571 (14.5)	0.866 (22)	0.236 (6)	M5	62 (7)
SD055R	0.4375 (10)	1.125 (30)	2.480 (63.0)	1.992 (50.6)	0.945 (24)	-	0.102 (2.6)	1.220 (31)	-	0.906 (23)	0.305 (7.75)	M6	123 (14)
SD060R	0.4375** (11)**	1.375 (35)	2.677 (68.0)	2.110 (53.6)	0.992 (25.2)	1.811 (46)	0.126 (3.2)	1.220 (31)	0.689 (17.5)	1.043 (26.5)	0.305 (7.75)	M6	124 (14)
SD080R	0.750 (18)	1.5625 (40)	3.228 (82.0)	2.677 (68)	1.181 (30)	-	0.315 (8)	1.496 (38)	-	1.102 (28)	0.354 (9)	M8	266 (30)
SD090R	1.000 (25)	1.750 (45)	3.622 (94.0)	2.689 (68.3)	1.181 (30)	-	0.327 (8.3)	1.654 (42)	-	1.339 (34)	0.354 (9)	M8	266 (30)
SD100R	1.3125 (32)	1.750 (45)	4.095 (104.0)	2.748 (69.8)	1.181 (30)	-	0.386 (9.8)	1.890 (48)	-	1.535 (39)	0.354 (9)	M8	266 (30)

*SD010 with a bore of 8mm or 0.3125" will have a M2 clamp screw and a tightening torque of 3.5 in lbs. or 0.4Nm

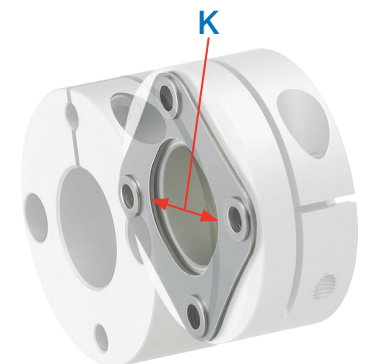
**Reduced Hub Dimensions

Model	Min Inch (mm)	Max Inch (mm)
SD030R	0.250 (5)	0.375 (10)
SD040R	0.375 (8)	0.5625 (15)
SD050R	0.375 (8)	0.6875 (19)
SD060R	0.4375 (11)	0.9375 (24)

** The hub in this coupling size may have a reduced outside diameter depending on the bore size selected. The chart to the left identifies the range of bore sizes that utilize the reduced diameter hubs. Bores larger than the max listing in the chart to the left and equal to or less than the max bore in the above chart will have the standard sized hub.



Reduced hub



The right coupling can add performance and longevity to your system!

High Torsional Stiffness

- Increased system accuracy
- Enables high-speed operation
- Improved system stability

High Quality

- High grade materials used throughout the coupling
- Machined and assembled by highly skilled technicians with certified tooling

Low radial stiffness

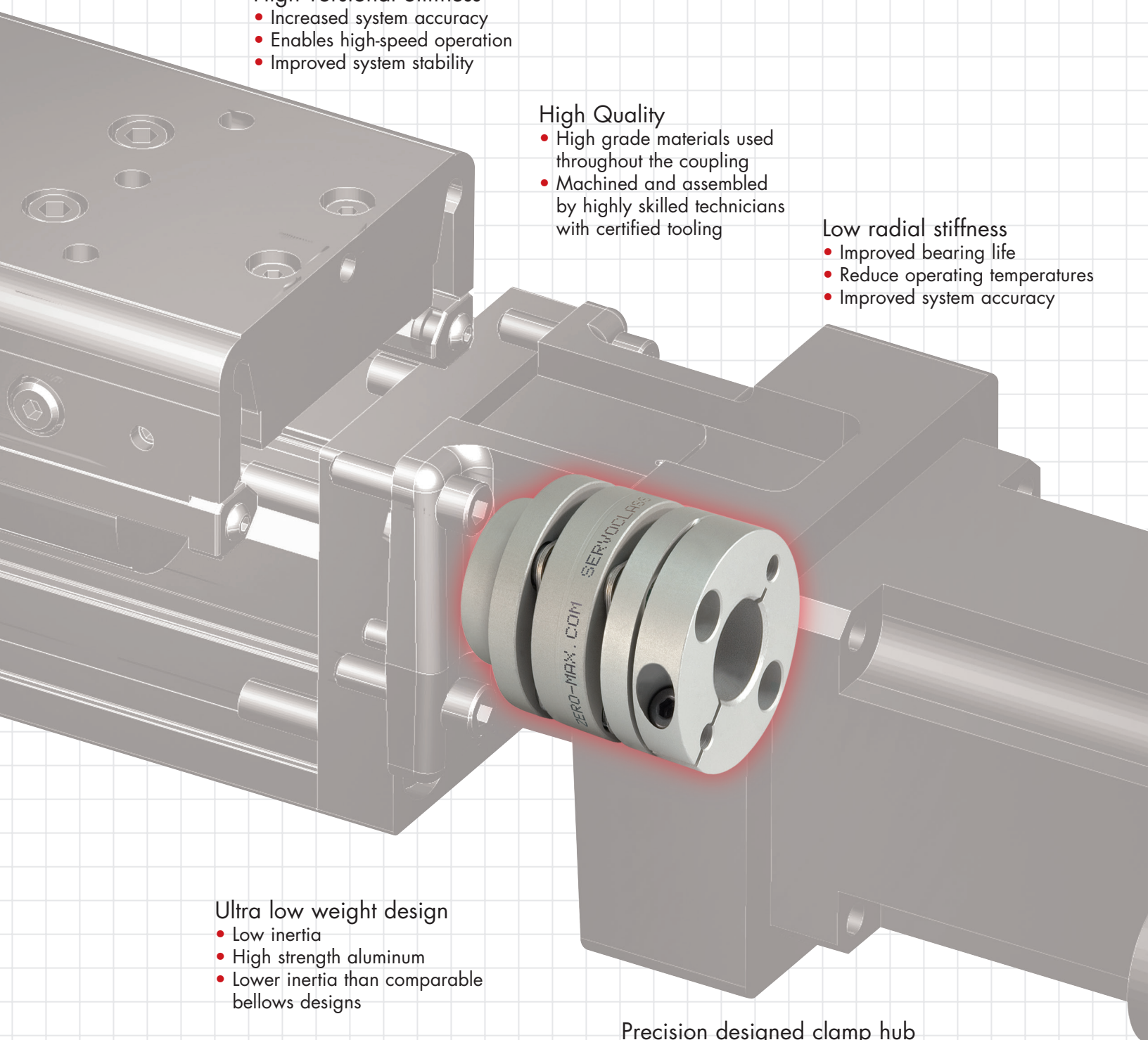
- Improved bearing life
- Reduce operating temperatures
- Improved system accuracy

Ultra low weight design

- Low inertia
- High strength aluminum
- Lower inertia than comparable bellows designs

Precision designed clamp hub

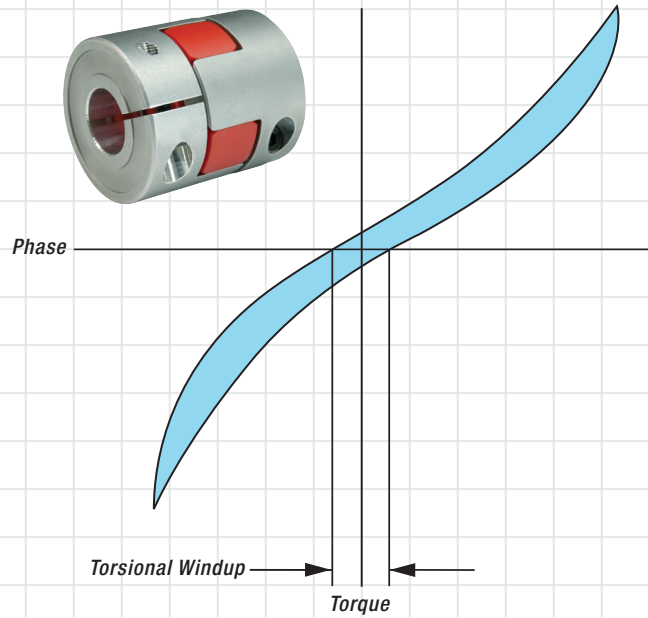
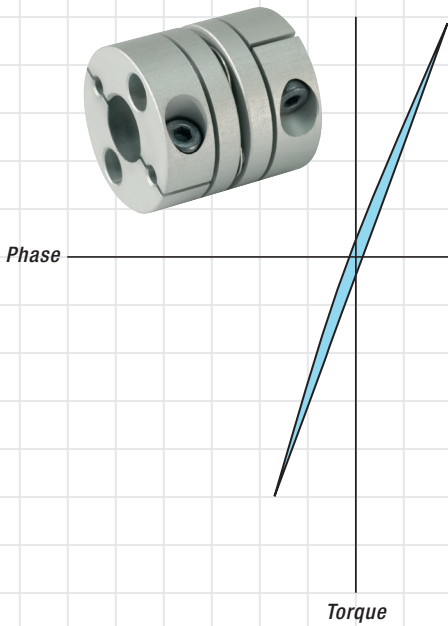
- Positive shaft hub connection
- Zero backlash
- Trouble free assembly



Typical Hysteresis Curves

ServoClass Coupling

Typical "Zero backlash" Jaw Type Coupling



ZEROMAX / ServoClass Couplings / ServoClass Double / SC030R Request for Quote

Bore Size d1: 0.800 in

Bore Size d2: 11 mm

[Help](#)



New Zero-Max Configurable 3D CAD Downloads.
www.zero-max.com

Selection Procedure

1. Calculate torque T_a applied to the coupling based on the motor output P and coupling operating rotation speed n .

$$T_a[\text{N}\cdot\text{m}] = 9550 \times \frac{P [\text{kW}]}{n [\text{RPM}]}$$
2. Calculate corrected torque T_d applied to the coupling after deciding the service factor K based on load conditions.

$$T_d = T_a \times K$$

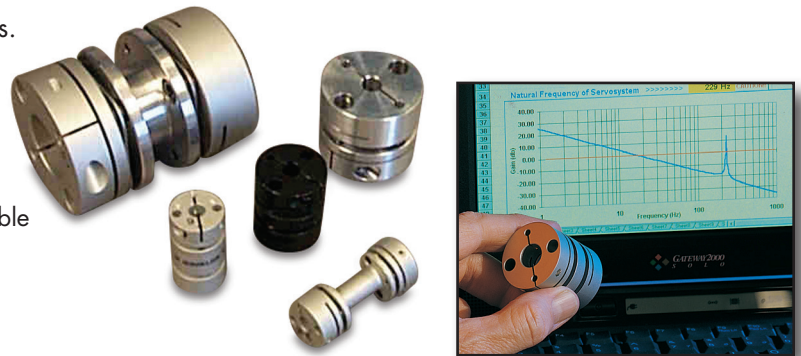
In servomotor drive, multiply the service factor $K=1.2\sim 1.5$ by the maximum torque of servomotor T_s .

$$T_d = T_s \times (1.2\sim 1.5)$$
3. Select a coupling size with permissible torque T_n that becomes greater than the corrected torque T_d .

$$T_n \geq T_d$$
4. Depending on the bore diameters, the coupling permissible torque may be limited. Refer to the "Specification" and "Standard bore diameter".
5. Confirm if the required shaft diameter does not exceed the maximum bore diameter of the selected size.

If our standard line of ServoClass coupling will not exactly fit your system needs, contact us for a custom design.

- Custom bores
- Ultra high speeds
- Special finishes
- Special Lengths
- Designed for operation in special environments



Inch Bore Size Chart

Bore inch	Model														
	SD002R SC002R	SD005R SC005R	SD010R SC010R	SD020R SC020R	SD025R SC025R	SD030R SC030R	SD035R SC035R	SD040R SC040R	SD050R SC050R	SD055R SC055R	SD060R SC060R	SD080R SC080R	SD090R SC090R	SD100R SC100R	
1/8	●	●	●												
3/16	●	●	●	●											
1/4			●	●	●	●	44								
5/16			●	●	●	●	●								
3/8				●	●	●	●	●	195						
7/16					●	●	●	●	●	301	443				
1/2					●	●	●	●	●	327	469				
9/16						●	●	●	●	●	●				
5/8							●	●	●	●	●				
11/16							○	●	●	●	●				
3/4								●	●	●	●	●			
13/16								○	●	●	●	●			
7/8									●	●	●	●			
15/16									●	●	●	●			
1									●	●	●	●	●		
1-1/16									○	●	●	●	●		
1-1/8									○	●	●	●	●		
1-3/16											●	●	●		
1-1/4											○	●	●		
1-5/16											○	●	●		2080
1-3/8											○	●	●	●	
1-7/16												●	●	●	
1-1/2												○	●	●	
1-9/16												○	●	●	
1-5/8													●	●	
1-11/16													○	●	
1-3/4													○	●	

Note: The ● symbol indicates that the clamping collar will transmit the full rated torque without a keyway.
 The ○ symbol indicates that the clamping collar will transmit the full rated torque without a keyway, however, the shaft will not be able to pass through the center of the coupling due to the ID of the flex element.
 A number in the square indicates that the bore is available and the torque rating of the clamp hub is reduced to the value shown in [in-lbs].
 A blank square indicates that the bore is not available for the selected coupling size.

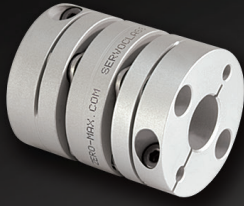
Metric Bore Size Chart

Bore mm	Model														
	SD002R SC002R	SD005R SC005R	SD010R SC010R	SD020R SC020R	SD025R SC025R	SD030R SC030R	SD035R SC035R	SD040R SC040R	SD050R SC050R	SD055R SC055R	SD060R SC060R	SD080R SC080R	SD090R SC090R	SD100R SC100R	
3	●	●	●												
4	●	●	●	●											
5	●	●	●	●	2.1	2.8									
6		●	●	●	●	3.4	5								
7			●	●	●	●	6.6								
8			●	●	●	●	●	9	18						
9				●	●	●	●	●	20						
10				●	●	●	●	●	22	31					
11				○	●	●	●	●	●	34	50				
12					●	●	●	●	●	36	51				
13					●	●	●	●	●	38	●				
14					●	●	●	●	●	●	●				
15						○	●	●	●	●	●				
16						○	●	●	●	●	●				
17							○	●	●	●	●				
18							○	●	●	●	●	●			
19								●	●	●	●	●			
20								○	●	●	●	●			
22								○	●	●	●	●			
24									●	●	●	●			
25									●	●	●	●	●		
28									○	●	●	●	●		
30									○	●	●	●	●		
32											○	●	●	226	
35											○	●	●	●	
38												○	●	●	
40												○	●	●	
42													○	●	
45														○	●

Note: The ● symbol indicates that the clamping collar will transmit the full rated torque without a keyway.
 The ○ symbol indicates that the clamping collar will transmit the full rated torque without a keyway, however, the shaft will not be able to pass through the center of the coupling due to the ID of the flex element.
 A number in the square indicates that the bore is available and the torque rating of the clamp hub is reduced to the value shown in [N·m].
 A blank square indicates that the bore is not available for the selected coupling size.

Part Numbering Structure

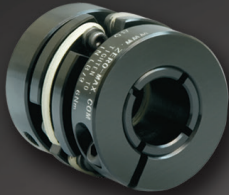
TYPE	SIZE	R	(Bore x Bore)	Example: SC050R (20 mm x 1/2") <ul style="list-style-type: none"> • Double Flex design • Size 050 • 20mm bore without keyway x 1/2" bore without keyway
Code Description	Code Description	Code	See Chart	
SC Double Flex SD Single Flex	002 Size 002 005 Size 005 010 Size 010 020 Size 020 025 Size 025 030 Size 030 035 Size 035 040 Size 040 050 Size 050 055 Size 055 060 Size 060 080 Size 080 090 Size 090 100 Size 100	RoHS Compliant Note: this is the standard design	ServoClass couplings are standard without keyways. Keyways are available upon request.	
Note: The hub design of ServoClass couplings will provide the necessary clamping force to hold the shaft in a dynamic application without the use of keyways. Keyways are available upon request. Please reference the bore size chart below for more details on bore sizes and torque.				
The Style of coupling is entirely dependent on the size of the coupling and bore combination selected.				



ServoClass® Couplings
Designed for demanding servomotor applications. Zero backlash, high torsional stiffness coupling. Features flexible metal discs and keyless clamp-type mounting hubs. Couplings are RoHS compliant.



ETP® Shaft Locking Connections
Designed for quick, easy and accurate assembly of mounted shaft components. Both inch and metric bore connections are available from stock.



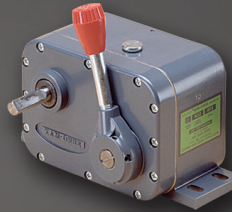
CD® Couplings
These high performance couplings out last bellows and steel disc design couplings. The unique design of the composite disc enables the CD® Couplings to withstand punishing applications and deliver high precision performance.



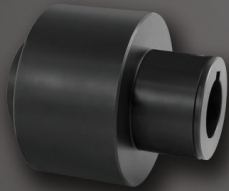
Roh'Lix® Linear Actuators
Roh'Lix® Linear Actuators convert rotary motion into precise linear motion. Available in five models. Roh'Lix® actuators have thrust ratings from 5 to 200 lbs. All models feature built in overload protection.



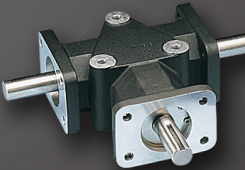
Schmidt® Offset Couplings
Schmidt® Offset Couplings are designed to handle high amounts of parallel offset up to 17.00". Standard models with torque capacities up to 459,000 in-lbs.



Adjustable Speed Drives
Easy to install and maintenance free. Zero-Max Drives offer infinitely variable speeds from 0 rpm to 1/4 of input rpm. 5 models with torque ranges from 12 in-lbs to 200 in-lbs.



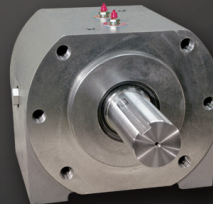
Overload Safety Couplings
Torq-Tender® Couplings provide reliable overload protection in any mechanical power transmission system. Torque ranges from 2 to 3000 in-lbs.



Crown® Gear Drives
Crown® Gear Drives are available with 1:1 and 2:1 ratios. High quality AGMA class 10 spiral bevel gears. Stainless steel shafts and aluminum housings are standard on all Crown® Gear Drives.



Control-Flex® Couplings
Control-Flex® Couplings are zero backlash couplings designed for encoder and instrumentation type applications.



OHLA® Overhung Load Adapters
OHLA® Overhung Load Adapters are designed to eliminate radial and axial loads from a hydraulic pump or motor. 11 models available for mounts from SAE A to SAE F.

Warranty. Zero-Max, Inc. the manufacturer, warrants that for a period of 12 months from date of shipment it will repair, or at its option, replace any new apparatus which proves defective in material or workmanship, or which does not conform to applicable drawings and specifications approved by the manufacturer. All repairs and replacements shall be F.O.B. factory. All claims must be made in writing to the manufacturer. ● In no event and under no circumstances shall manufacturer be liable for (a) damages in shipment; (b) failures or damages due to misuse, abuse, improper installation or abnormal conditions of temperature, dirt, water or corrosives; (c) failures due to operation, intentional or otherwise, above rated capacities, and (d) non-authorized expenses for removal, inspection, transportation, repair or rework. Nor shall manufacturer ever be liable for consequential and incidental damages, or in any amount greater than the purchase price of the apparatus. ● Zero Max, Inc. reserves the right to discontinue models or to change specifications at any time without notice. No discontinuance or change shall create any liability on the part of Zero-Max, Inc. in respect to its products in the hands of customers or products on order not incorporating such changes even though delivered after any such change. ● This warranty is in LIEU OF ALL OTHER WARRANTIES, EXPRESS OR IMPLIED, INCLUDING (BUT NOT LIMITED TO) ANY IMPLIED WARRANTIES OF MERCHANTABILITY OR FITNESS FOR A PARTICULAR PURPOSE. THE TERMS OF THIS WARRANTY CONSTITUTE ALL BUYER'S OR USER'S SOLE AND EXCLUSIVE REMEDY, AND ARE IN LIEU OF ANY RIGHT TO RECOVER FOR NEGLIGENCE, BREACH OF WARRANTY, STRICT TORT LIABILITY OR UPON ANY OTHER THEORY. Any legal proceedings arising out of the sale or use of this apparatus must be commenced within 18 months of the date of purchase. ● CAUTION: Rotating equipment must be guarded. Also refer to OSHA specifications and recommendations. ● Zero-Max®, CD®, ETP®, ServoClass®, Torq-Tender®, Control-Flex®, Posi-Lok®, Roh'Lix®, Crown®, Schmidt® and OHLA® are registered trademarks of Zero-Max, Inc. In U.S.A.

©Zero-Max 2016 Printed in U.S.A.

ZERO-MAX®

13200 Sixth Avenue North, Plymouth, Minnesota 55441-5509
Phone 800.533.1731 763.546.4300 FAX 763.546.8260

zero-max.com